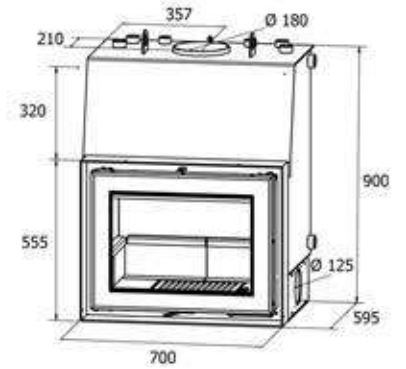


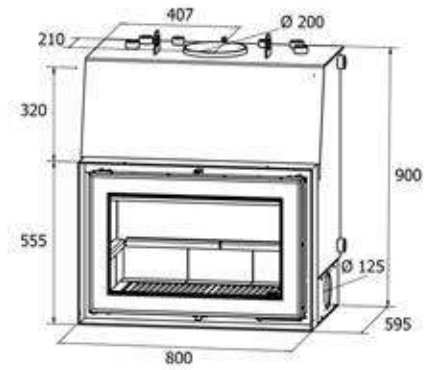


**Cálida Series**

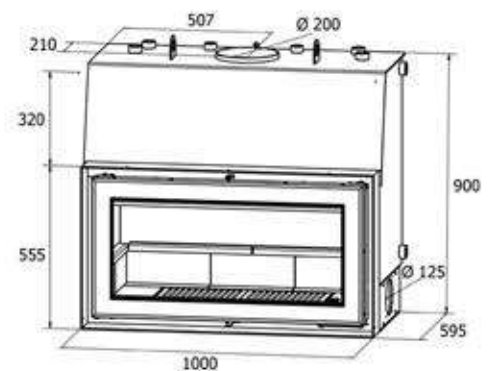
Cálida 70



Cálida 80



Cálida 100



|                   | Energy Efficiency | Combustion | Emissions | Power (kW) | Volume (L/s) | Max m <sup>3</sup> | Kg/h | Depth (mm) | Width (mm) | Pressure (Pa) | Weight (Kg) |
|-------------------|-------------------|------------|-----------|------------|--------------|--------------------|------|------------|------------|---------------|-------------|
| <b>Cálida 70</b>  | A+                | 80         | 23,3      | 18,4       | 54           | 870                | 7    | 565        | 180        | 12            | 230         |
| <b>Cálida 80</b>  | A                 | 79         | 24,3      | 18,1       | 60           | 912                | 7,5  | 665        | 200        | 12            | 260         |
| <b>Cálida 100</b> | A                 | 77         | 26,2      | 17,5       | 75           | 985                | 8    | 865        | 200        | 12            | 324         |